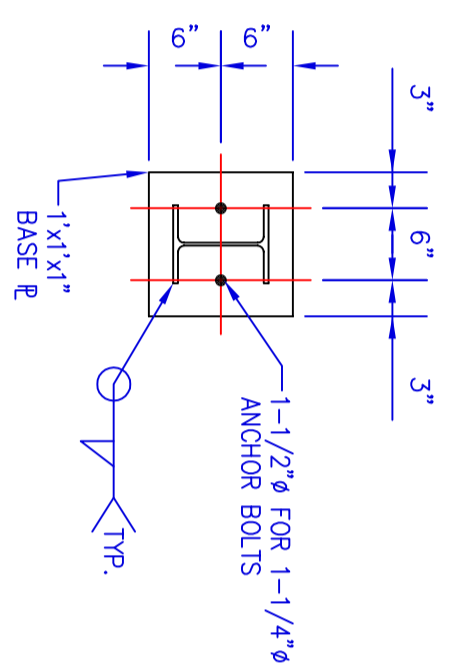
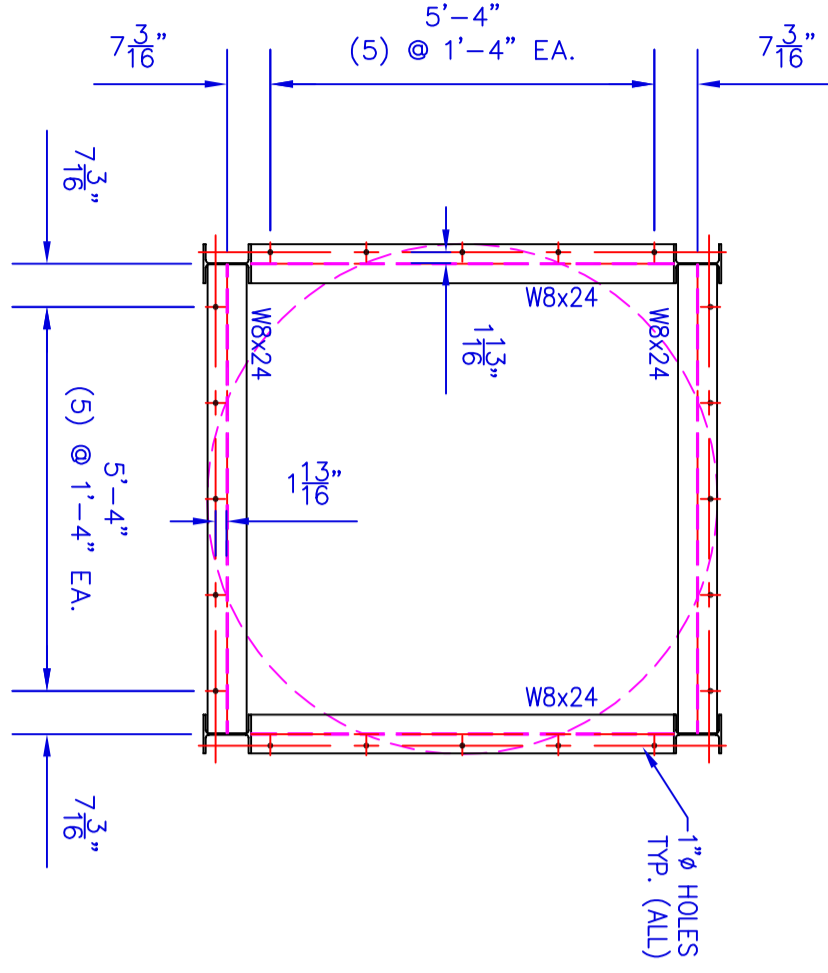


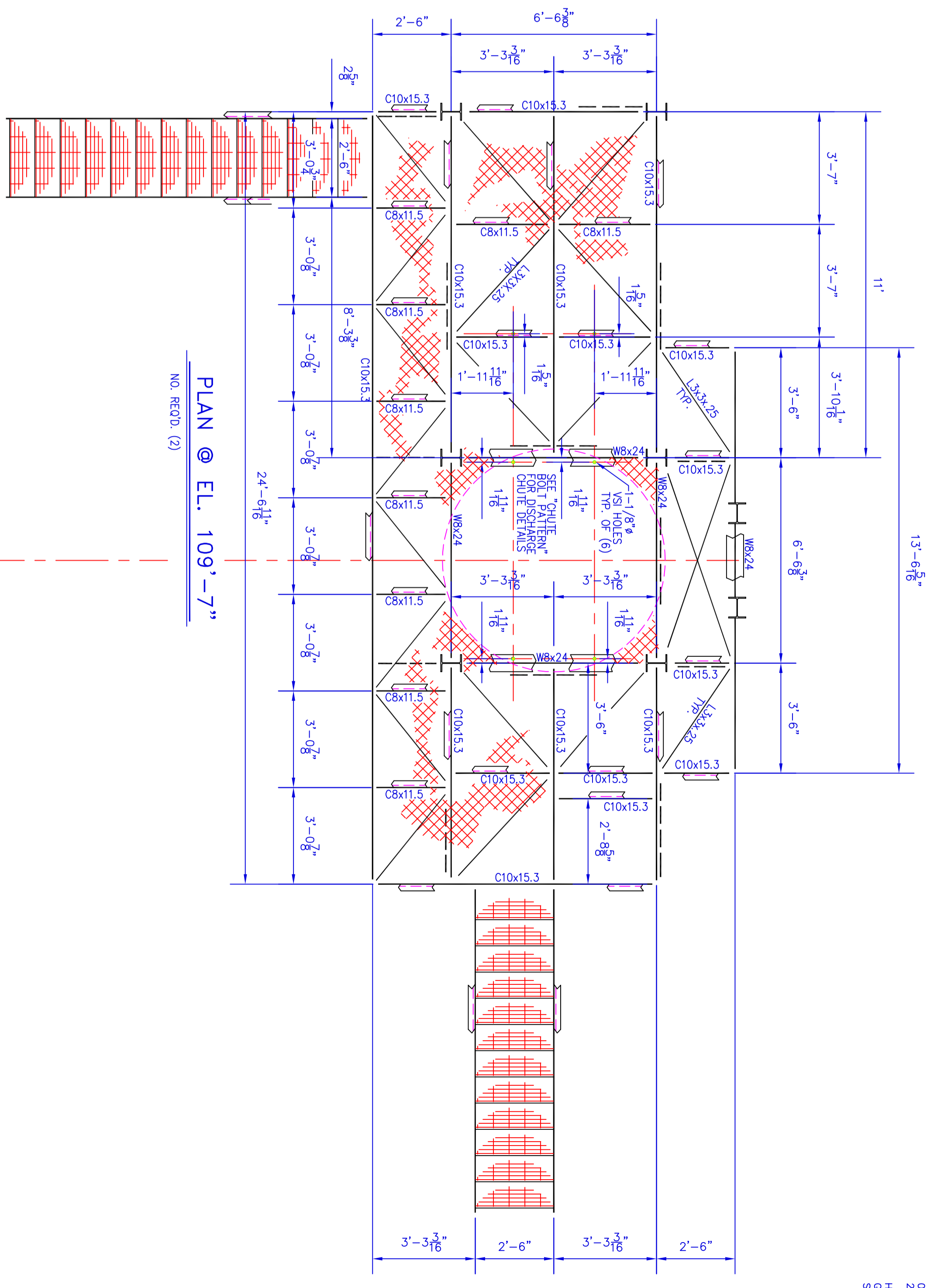
DETAIL A
SCALE: AS SHOWN
SEE DWG. 0-1103-0002S
FOR DETAILS



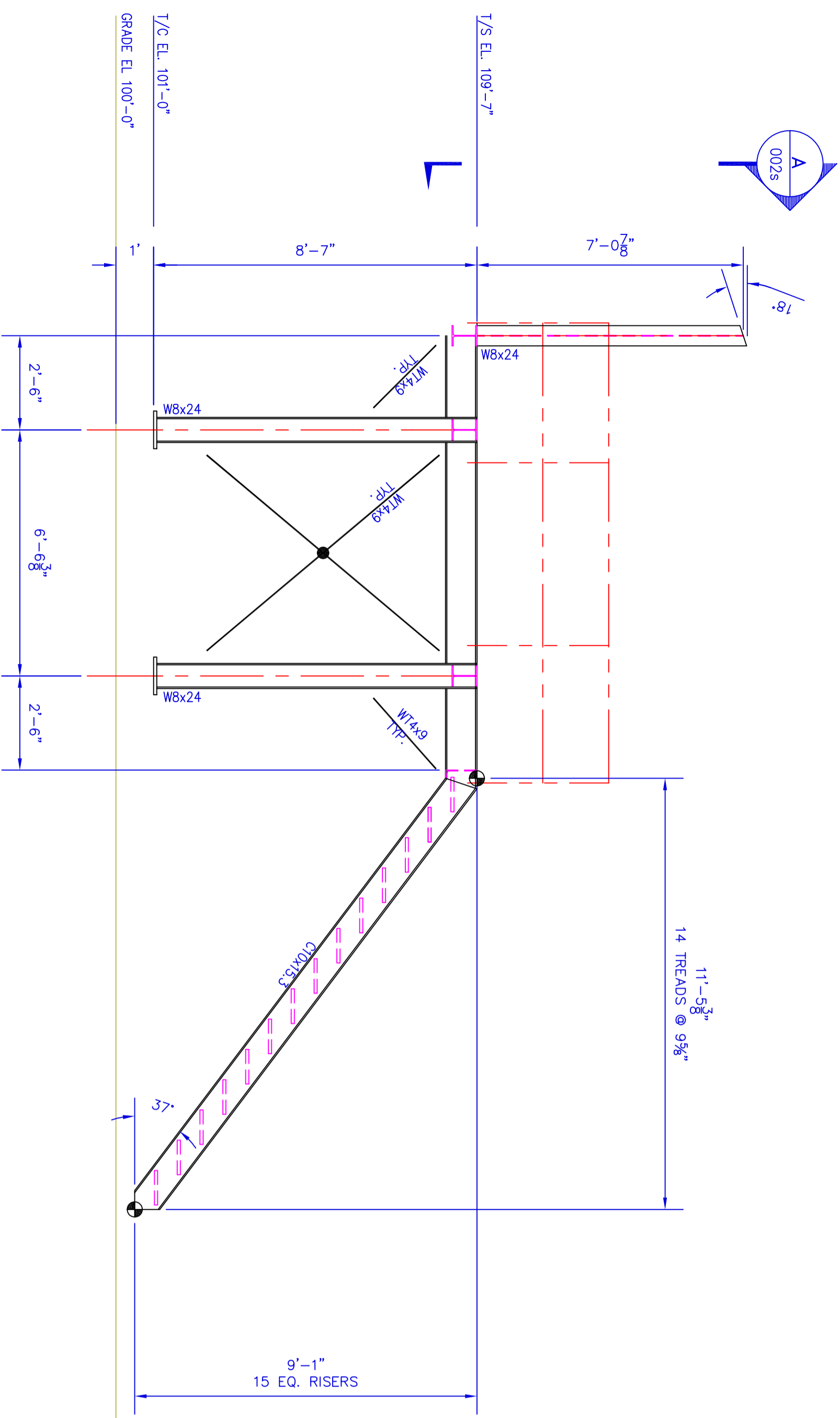
BASE R DET.
SCALE: NIS
NO. RECD. (12)



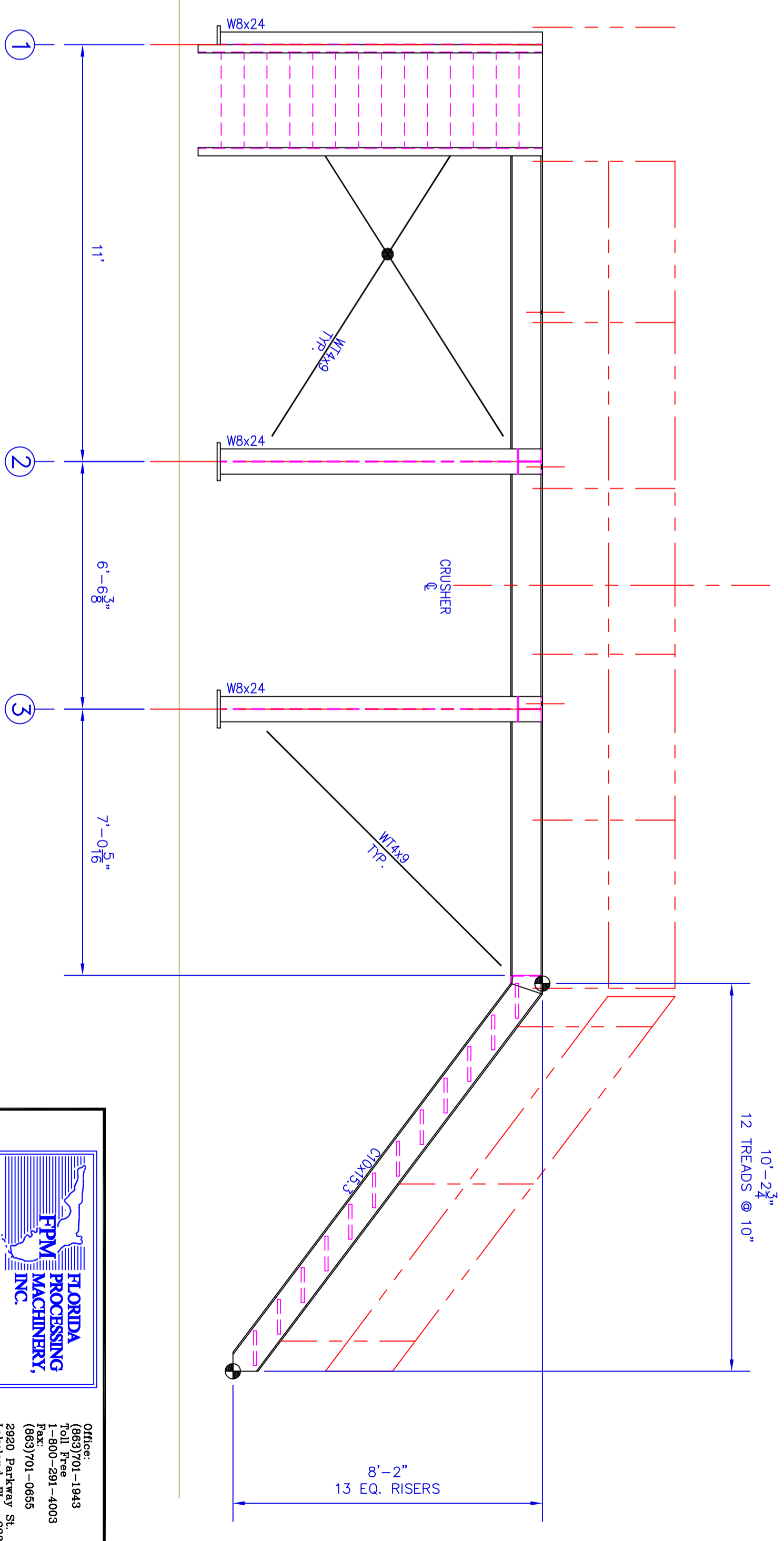
CHUTE BOLT PATTERN
SCALE: AS NOTED
NOTES: BOLT HOLES BOTTOM ONLY



PLAN @ EL. 109'-7"
NO. RECD. (2)



SIDE ELEVATION
NO. RECD. (2)



END ELEVATION
NO. RECD. (2)

- NOTES:**
1. ALL WALKWAYS TO BE CHECKER PLATE.
 2. ALL STRUCTURAL STEEL TO BE GALVANIZED.
 3. ALL HANDRAIL AND TOE PLATE TO BE SAFETY YELLOW.
 4. SEE STANDARDS FOR WALKWAY, LADDER, & STAIR DETAILS.

FLORIDA PROCESSING MACHINERY, INC.
 OFFICE: 6030 FIVE POINTS
 1-800-291-4003
 (888) 791-0855
 2820 Parkway St.
 Lakeland, FL 33811

REV.	ISSUE	BY	DATE	DWG. NO.	REV.

MATL. EST.
 0-20 - 3879lb.
 21-40 - 6648lb.
 H&K TP - 2705F
 S/TMS - 89F