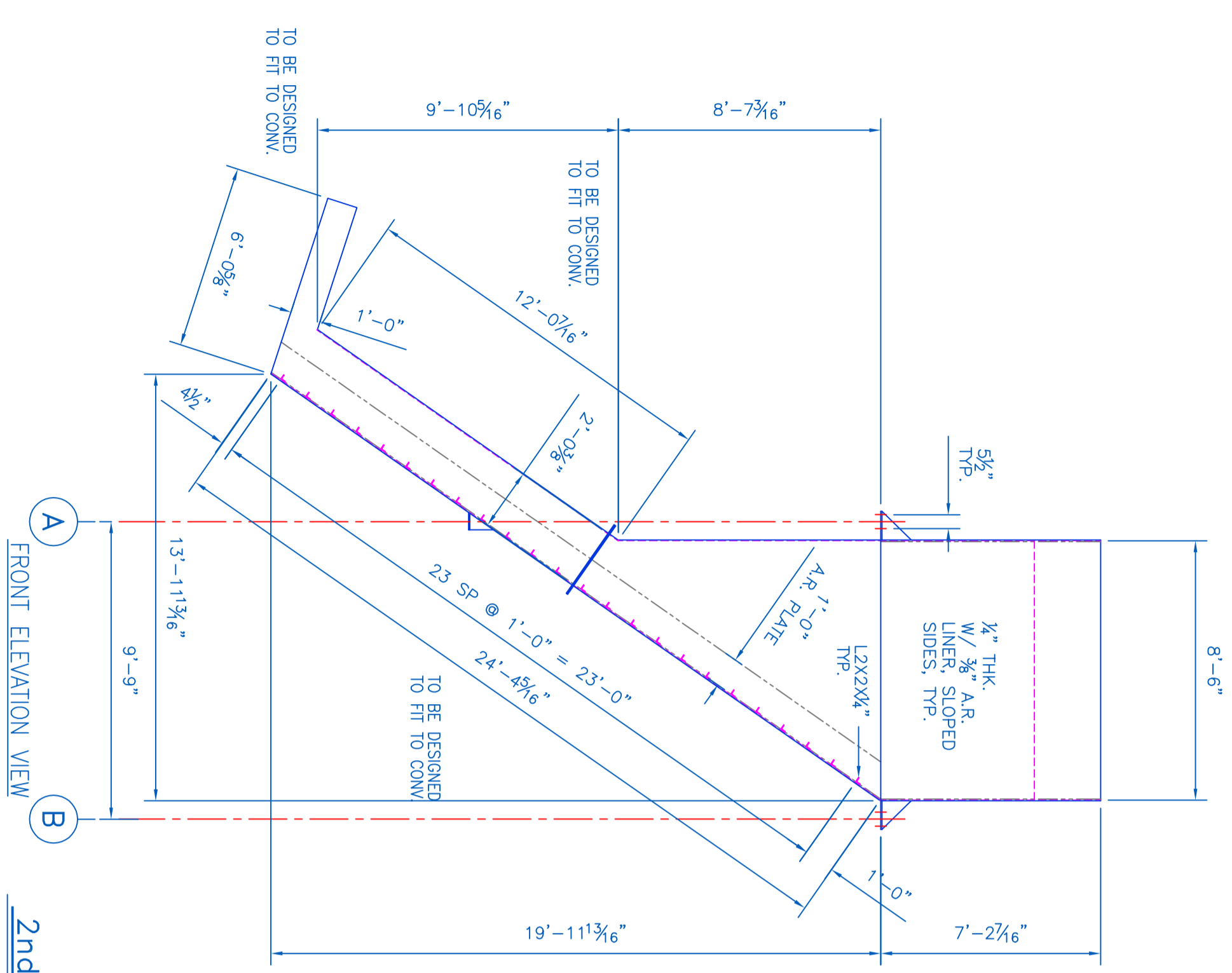
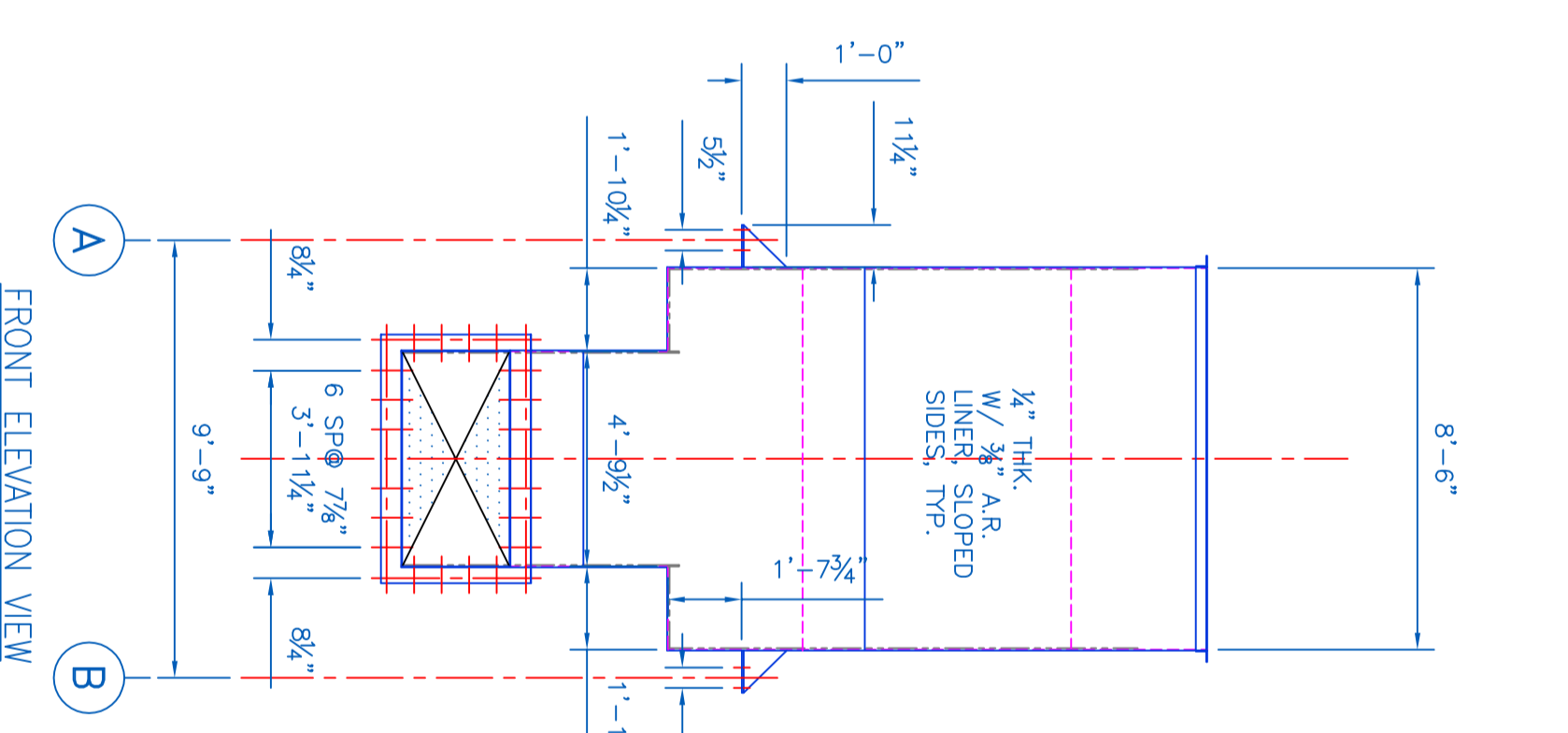
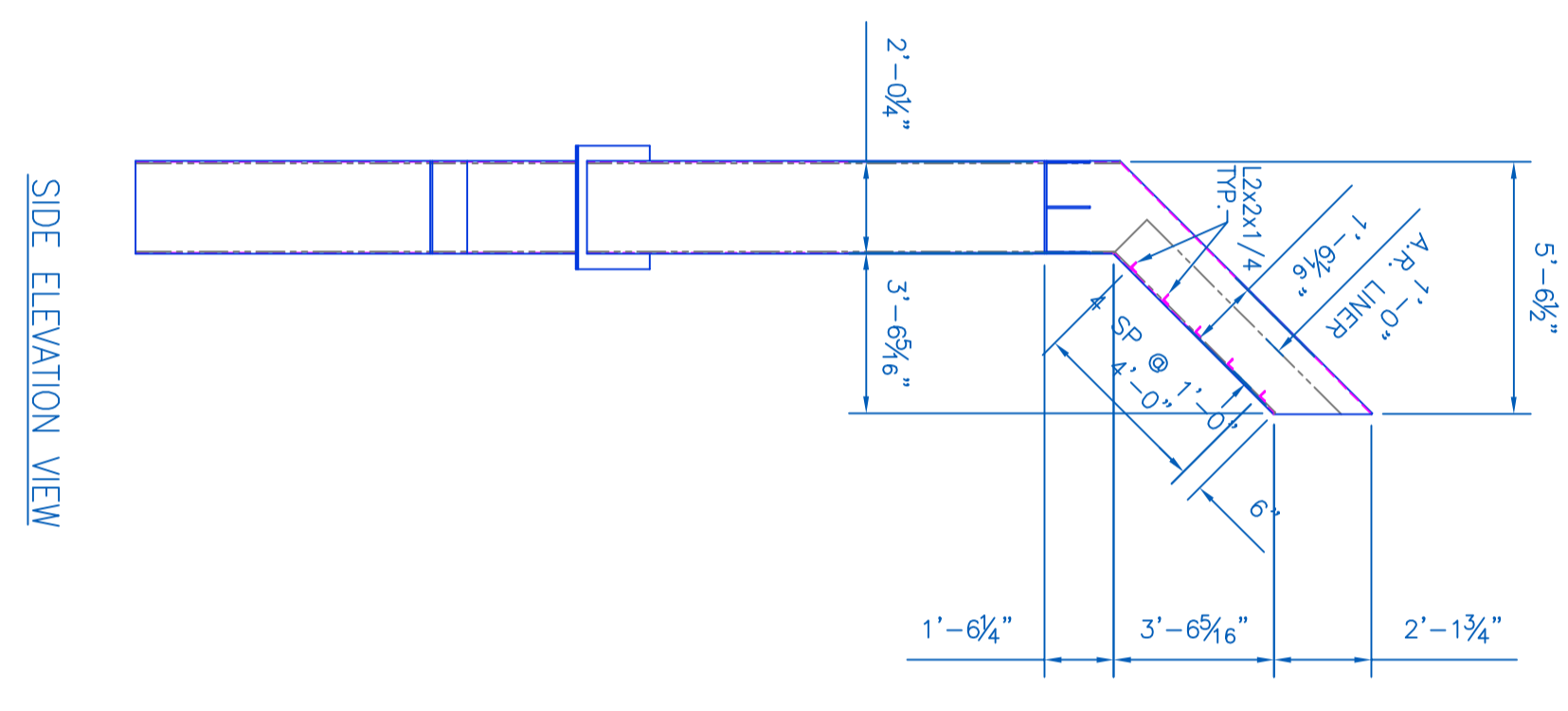


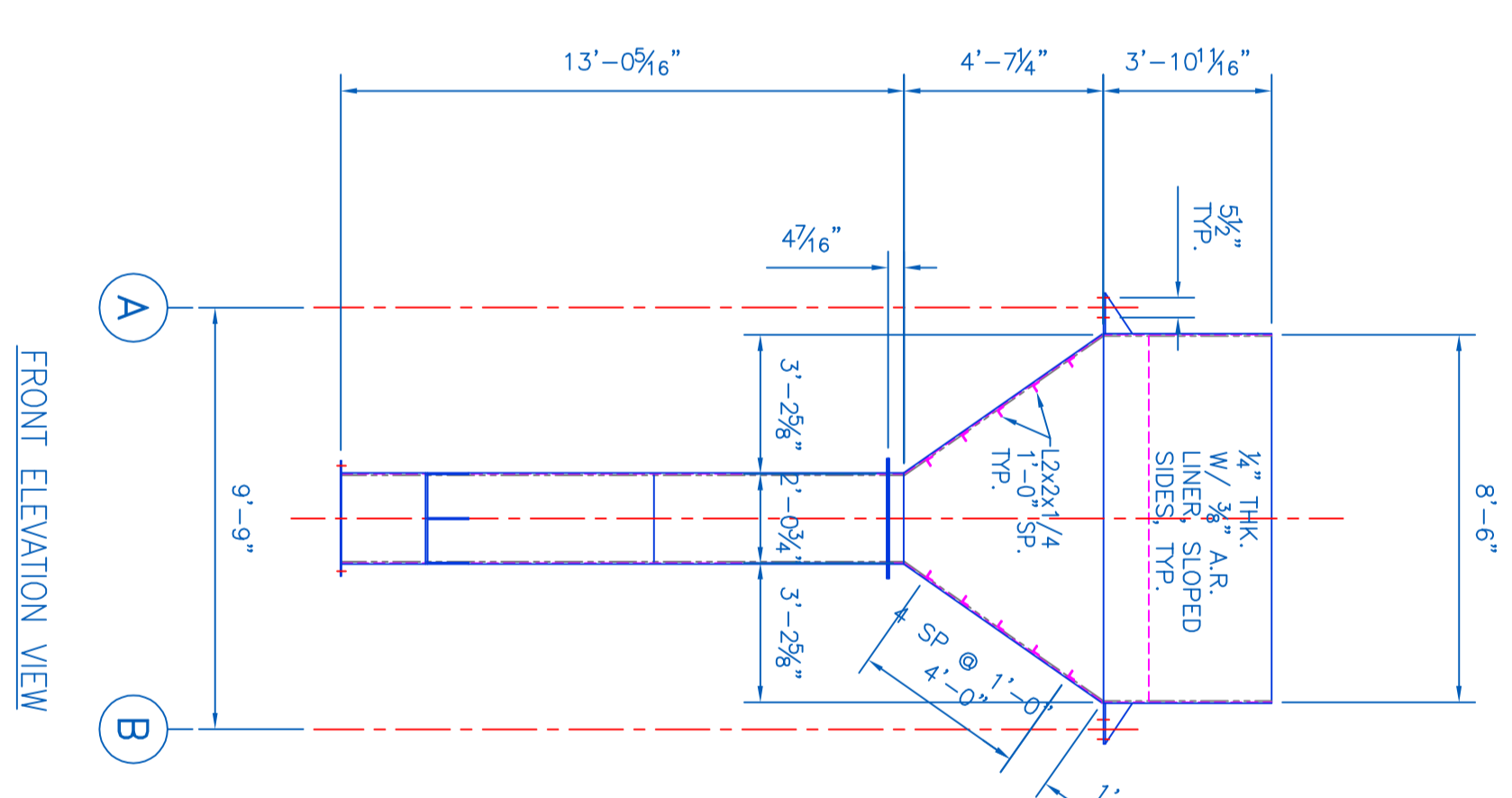
8x20 SCREEN DISCHARGE CHUTES
SCALE: 1/4"=1'-0"



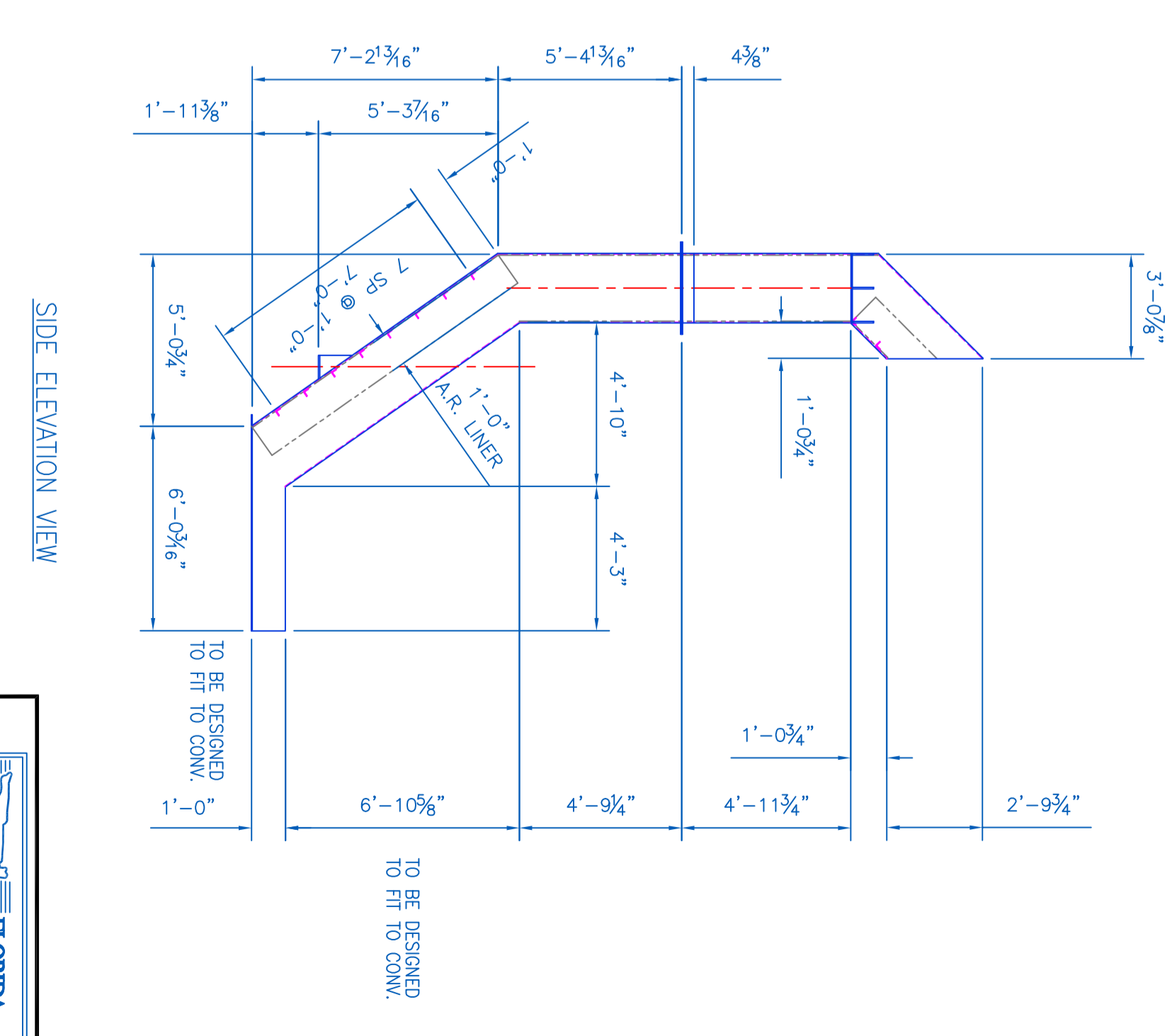
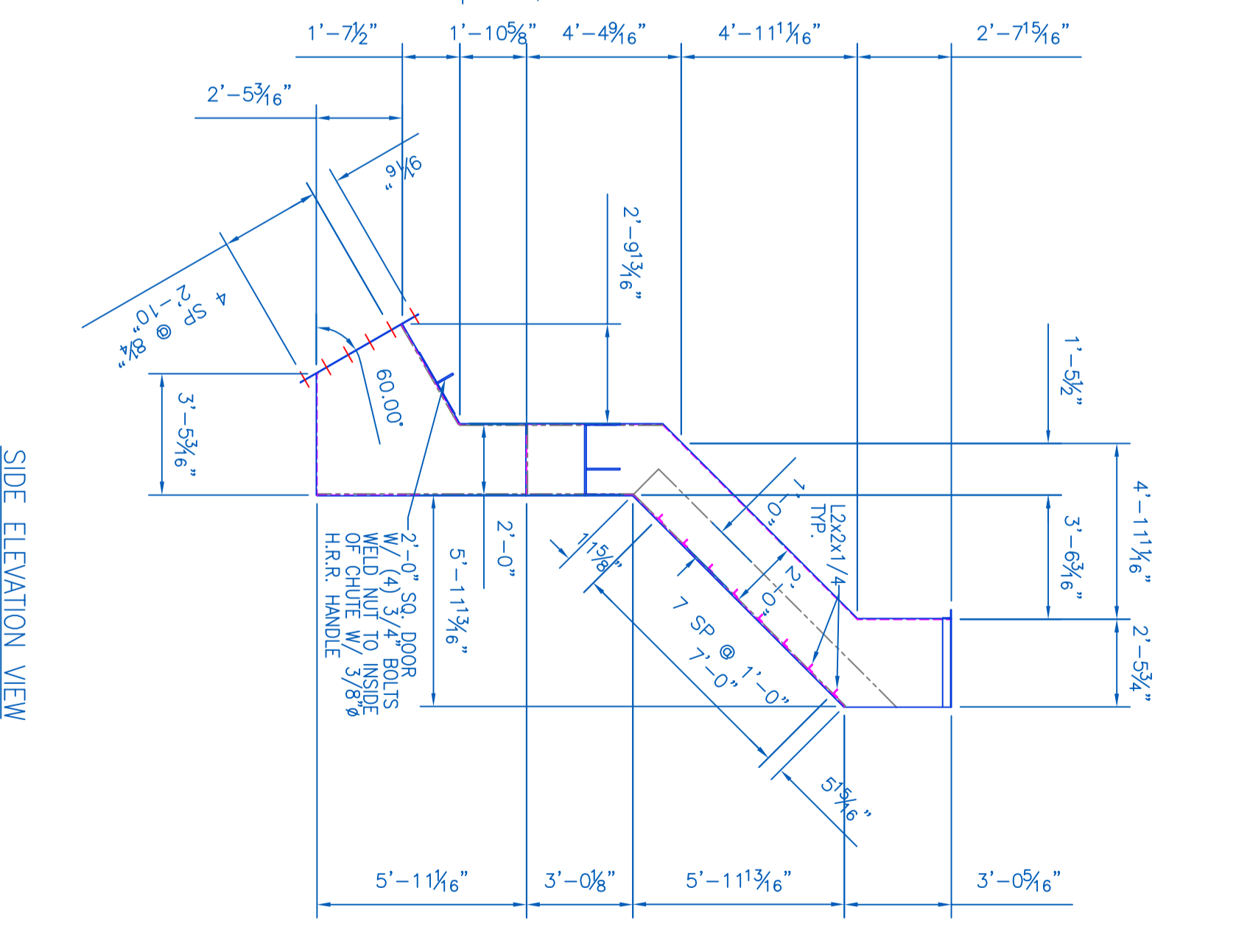
2nd DECK DISCHARGE CHUTE
SCALE: 1/4"=1'-0"



1st DECK DISCHARGE (CRUSHER FEED)
SCALE: 1/4"=1'-0"



3rd DECK DISCHARGE CHUTE
SCALE: 1/2"=1'-0"



Office: (888) 770-1843
1-800-291-4003
Fax: (888) 770-0665
2820 Parkway St., 38811
Lakeland, FL

THIS DRAWING IS THE PROPERTY OF FLORIDA PROCESSING MACHINERY, INC. BE SUBMITTED TO ANY OUTSIDE PARTY FOR EXAMINATION WITHOUT OUR CONSENT. IT SHALL BE USED FOR REFERENCE TO WORK ON CONTRACT OR OTHERWISE IDENTIFIED BY THIS DRAWING.

| REV. | ISSUE | BY | DATE | DWG. NO. | REV. |
|------|-------|----|------|----------|------|
| | | | | | |
| | | | | | |
| | | | | | |